

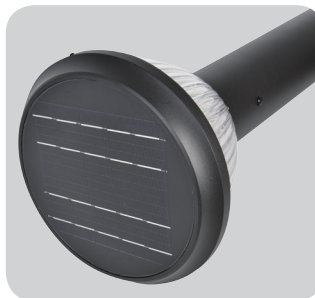
DLW-S-008



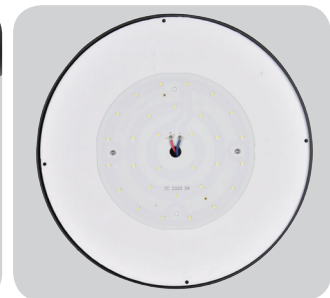
Switch



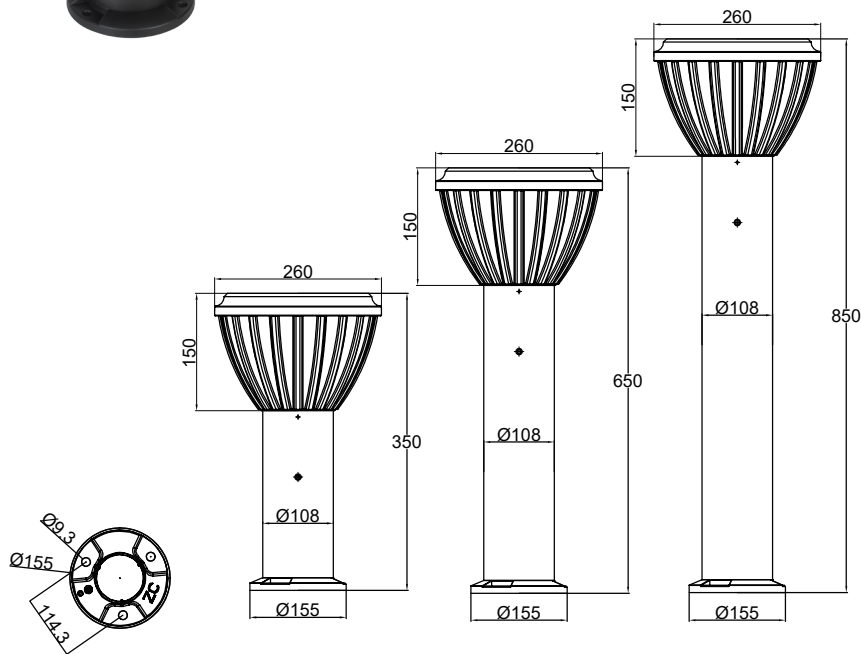
Injection PC diffuser



Solar panel



LED



Application:



Walkways



Parks and Gardens



Car parks



Prestigious



Retail



Amenity



Features:

- Main body is made of Die-casting aluminum alloy with extruded aluminum alloy.
- The diffuser is a Prismatic anti-UV injection polycarbonate for high efficiency and vandal resistance.
- Solar panel: Monocrystalline silicon-4.5W/5V
- 2835 led chip and LiFePO4 Lithium battery 8Ah/3.2V.
- 3000K & 6500K as regular ,other CCT options.
- Tamper proof fixings for increased vandal resistance.
- Anti-UV electrostatic powder spraying,regular color:Black
- IP65 rating water and rust proof protection.
- IK08 rating housing protection.
- Charge time:5-6hours.
- Work time:three night by full charge.
- Warranty is 3 years.

Specification:

Item No.	LED	Size	Wattage	CCT	CRI
DLS-S-008	2835	260*H350mm	3W	3000K & 6500K	Ra≥80
DLS-S-008	2835	260*H650mm	3W	3000K & 6500K	Ra≥80
DLS-S-008	2835	260*H850mm	3W	3000K & 6500K	Ra≥80