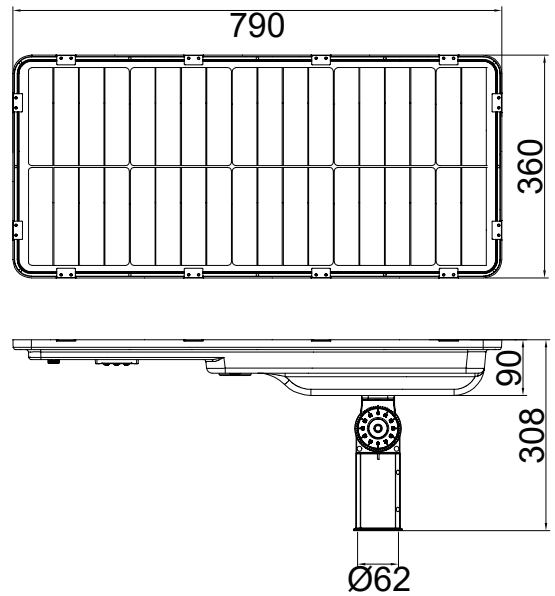
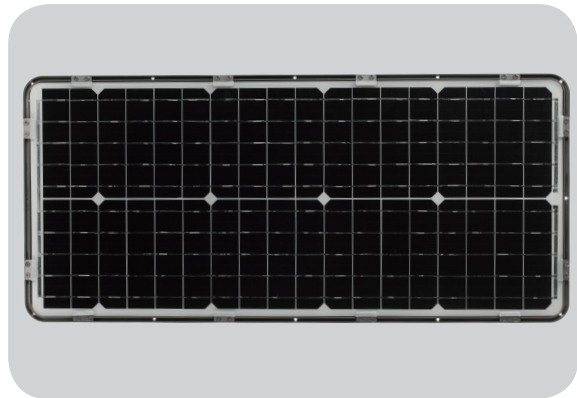


DLS-S-004B



PC lens



Solar panel



Sensor



Switch

Application:



Walkways



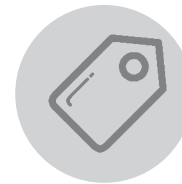
Parks and Gardens



Car parks



Prestigious



Retail



Amenity

Features:

- Main body is made of Die-casting aluminum alloy
- Solar panel: Monocrystalline silicon-50W/18V
- Bridgelux 5050 led chip and LiFePO4, Military Grade battery 14Ah/12.8V for 30W; 24Ah/12.8V for 40W
- 2-in 1 sensor :Detecting natural light intensity and motion; Automatically turn on, off or dim down
- 3000K /4000K/5700K as regular ,other CCT options.
- Tamper proof fixings for increased vandal resistance.
- Anti-UV electrostatic powder spraying,regular color:Black
- IP66 rating water and rust proof protection.
- IK08 rating housing protection.
- Charge time:5-6hours
- Work time:three night by full charge
- Warranty is 5 years.

Specification:

Item No.	LED	Wattage	Lumen	CCT	Optics	CRI
DLS-S-004B	Bridgelux 5050	30W	5000LM	3000K/4000K/ 5700K	TYPE II / TYPE III	Ra≥70
DLS-S-004B	Bridgelux 5050	40W	7000LM	3000K/4000K/ 5700K	TYPE II / TYPE III	Ra≥70